



ARIZONA

MARRONEY THEATRE

ARIZONA REPERTORY THEATRE PRESENTS

# RICHARD III

SPEAKER PLOT (GP)

DIRECTOR:  
BRENT GIBBS

SOUND DESIGNER:  
TYLER A. BERG

ASST. SOUND DESIGNER:  
HUNTER SWEETSER

PSE:  
MAXWELL BAINES

DATE:  
20181023

REVISION DATE:  
20190204

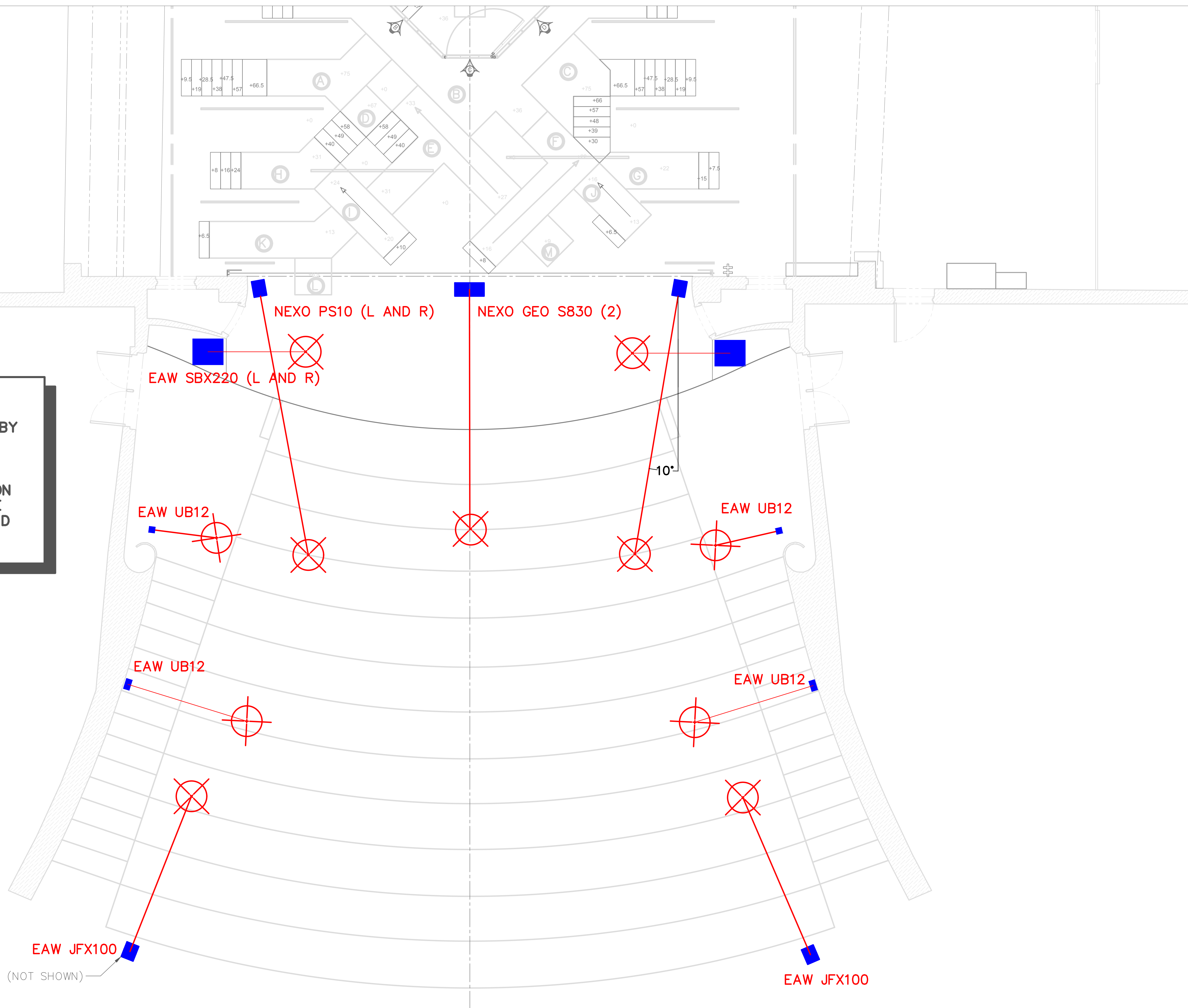
SCALE:  
1/4" = 1'-0"

DRAFTED BY:  
T.A.B.

PLATE #

1

OF:5



**NOTES:**

- EAW UB12's SUPPORTED BY BOARDS MOUNTED INTO PEG-BOARD WALL.
- EAW UB12's IN ALCOVE ON CLAMPS, HUNG ON ALCOVE PIPE, SIDE-ARMED OUT AND ORIENTED VERTICALLY.

HUNG ON BOOTH PIPE (NOT SHOWN)



ARIZONA

MARRONEY THEATRE

ARIZONA REPERTORY THEATRE PRESENTS

# RICHARD III

## SPEAKER PLOT (SECTION)

DIRECTOR:  
BRENT GIBBS

SOUND DESIGNER:  
TYLER A. BERG

ASST. SOUND DESIGNER:  
HUNTER SWEETSER

PSE:  
MAXWELL BAINES

DATE:  
20181023

REVISION DATE:  
20190204

SCALE:  
1/2" = 1'-0"

DRAFTED BY:  
T.A.B.

PLATE #

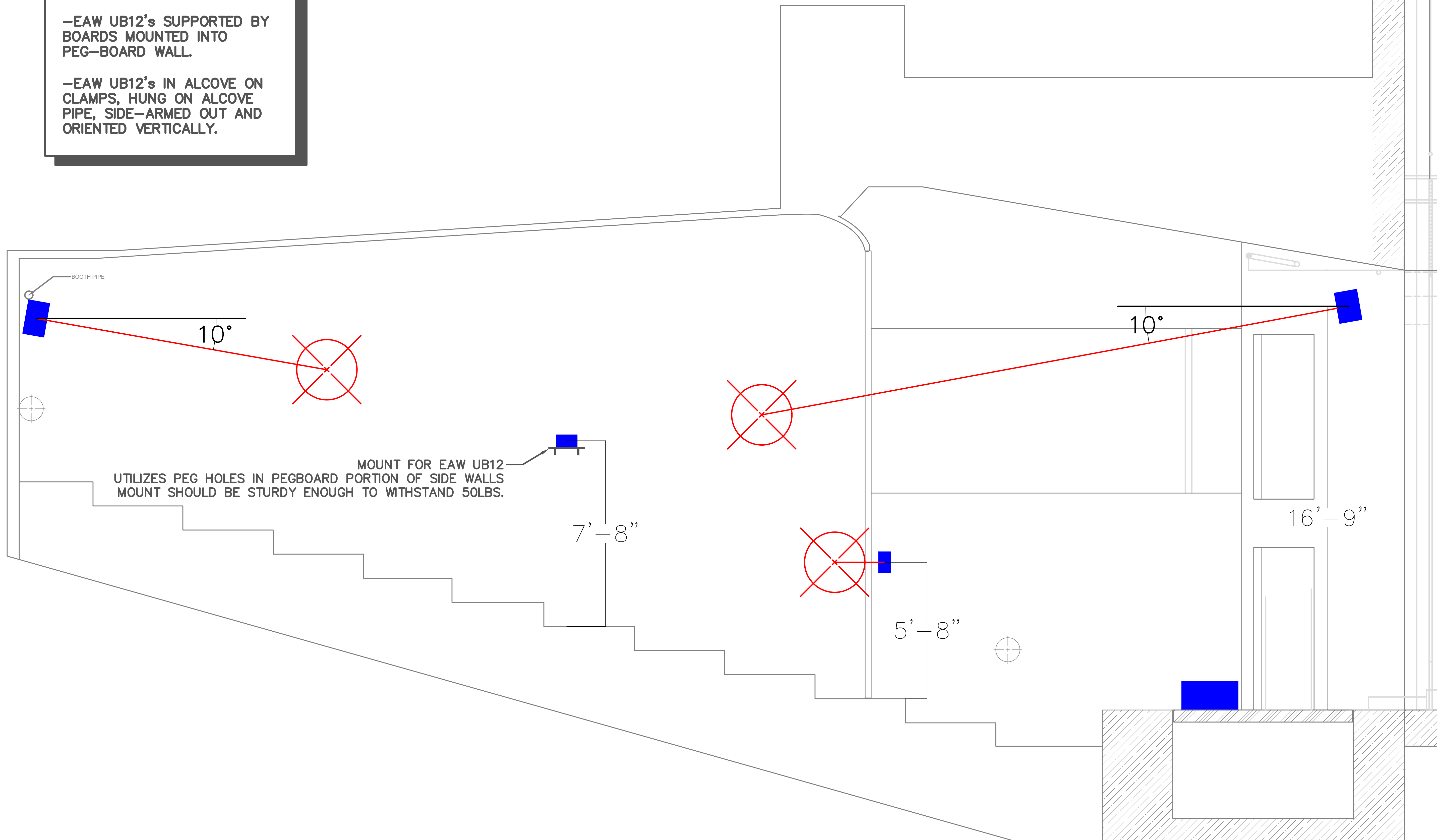
# 2

OF:5

### NOTES:

-EAW UB12's SUPPORTED BY BOARDS MOUNTED INTO PEG-BOARD WALL.

-EAW UB12's IN ALCOVE ON CLAMPS, HUNG ON ALCOVE PIPE, SIDE-ARMED OUT AND ORIENTED VERTICALLY.



MOUNT FOR EAW UB12  
UTILIZES PEG HOLES IN PEGBOARD PORTION OF SIDE WALLS  
MOUNT SHOULD BE STURDY ENOUGH TO WITHSTAND 50LBS.

7'-8"

5'-8"

16'-9"

10°

10°



ARIZONA

MARRONEY THEATRE

ARIZONA REPERTORY THEATRE PRESENTS

# RICHARD III

SPEAKER PLOT (FRNT ELEV)

DIRECTOR:  
BRENT GIBBS

SOUND DESIGNER:  
TYLER A. BERG

ASST. SOUND DESIGNER:  
HUNTER SWEETSER

PSE:  
MAXWELL BAINES

DATE:  
20181023

REVISION DATE:  
20190204

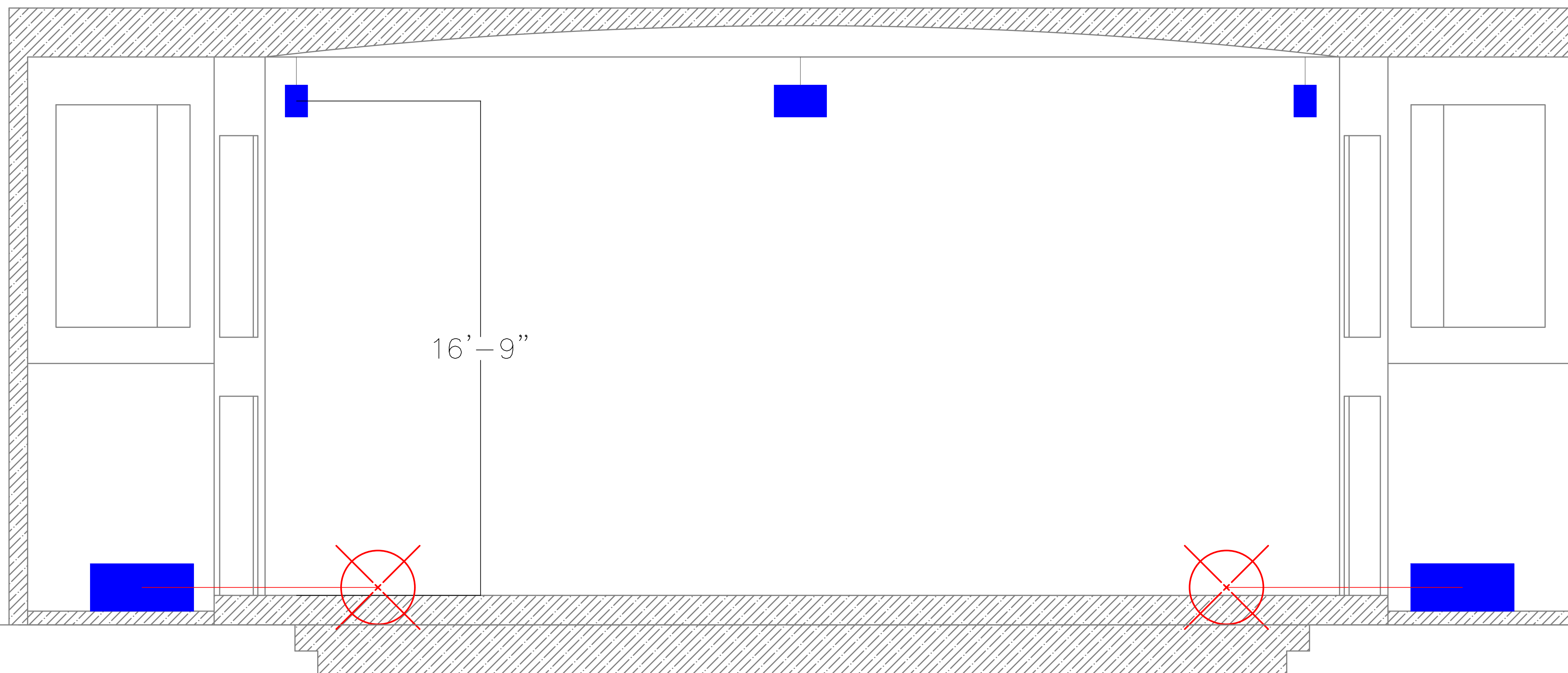
SCALE:  
1/2" = 1'-0"

DRAFTED BY:  
T.A.B.

PLATE #:

3

OF:5



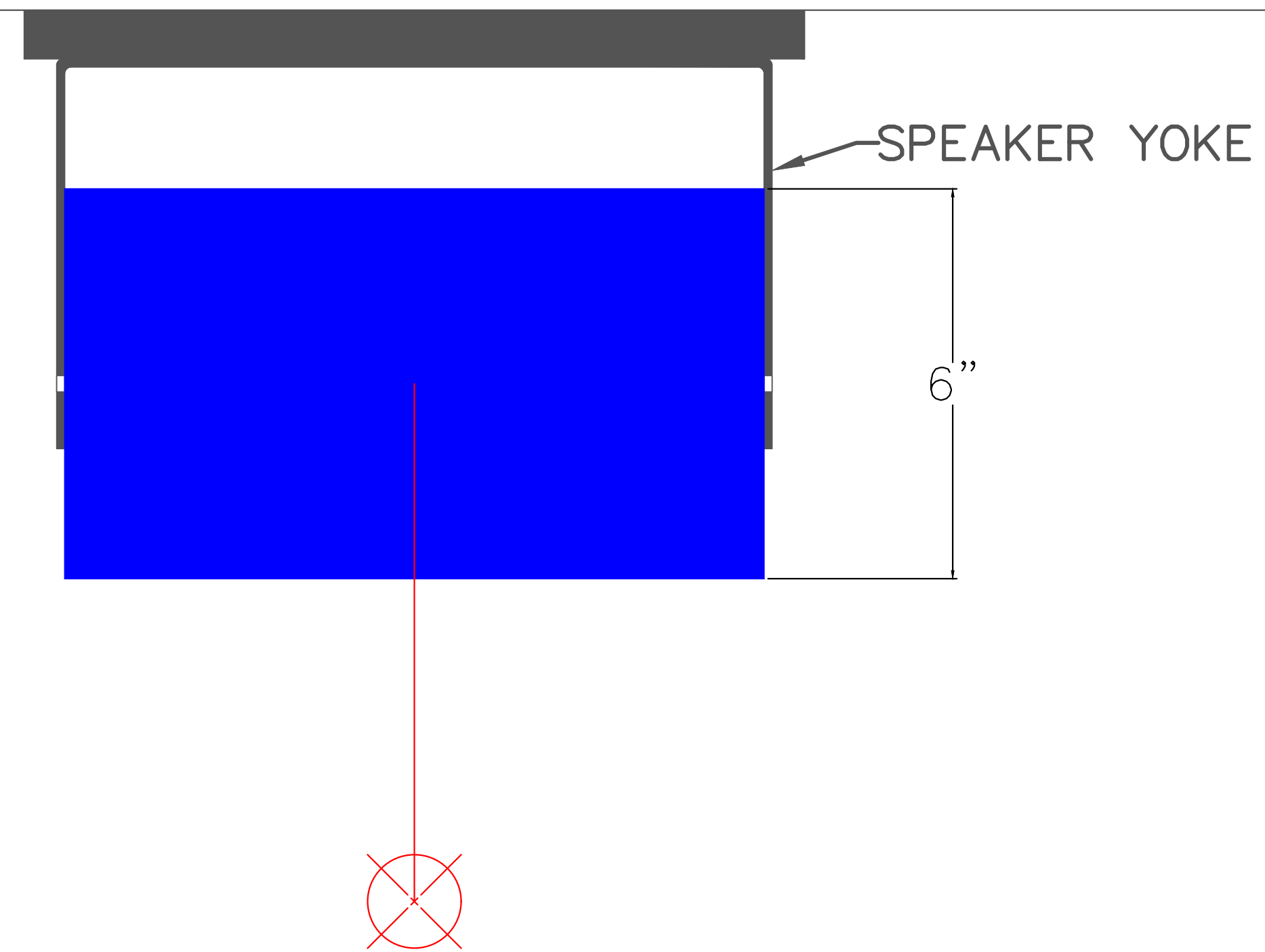
**NOTES:**

-NEXOs SUSPENDED BY CHAIN-LINK, w/ HOOK.

-CENTER CLUSTER SUSPENDED BY CHAIN-LINK, w/ HOOK.

-EAW SBX220 SUBS LAID FLAT (POLE INDENT FACING UP FOR LX BOOMS)

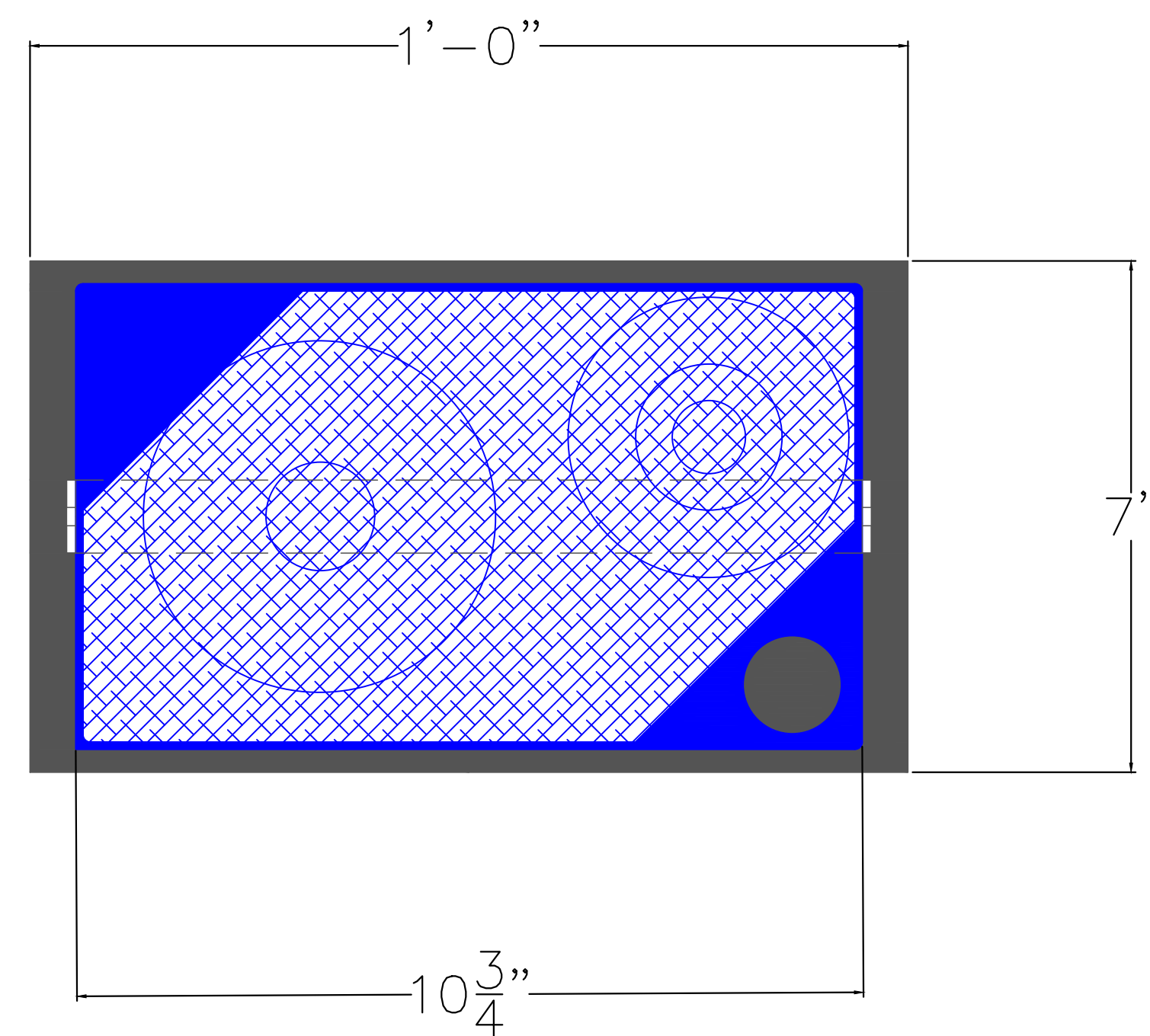
TOP VIEW



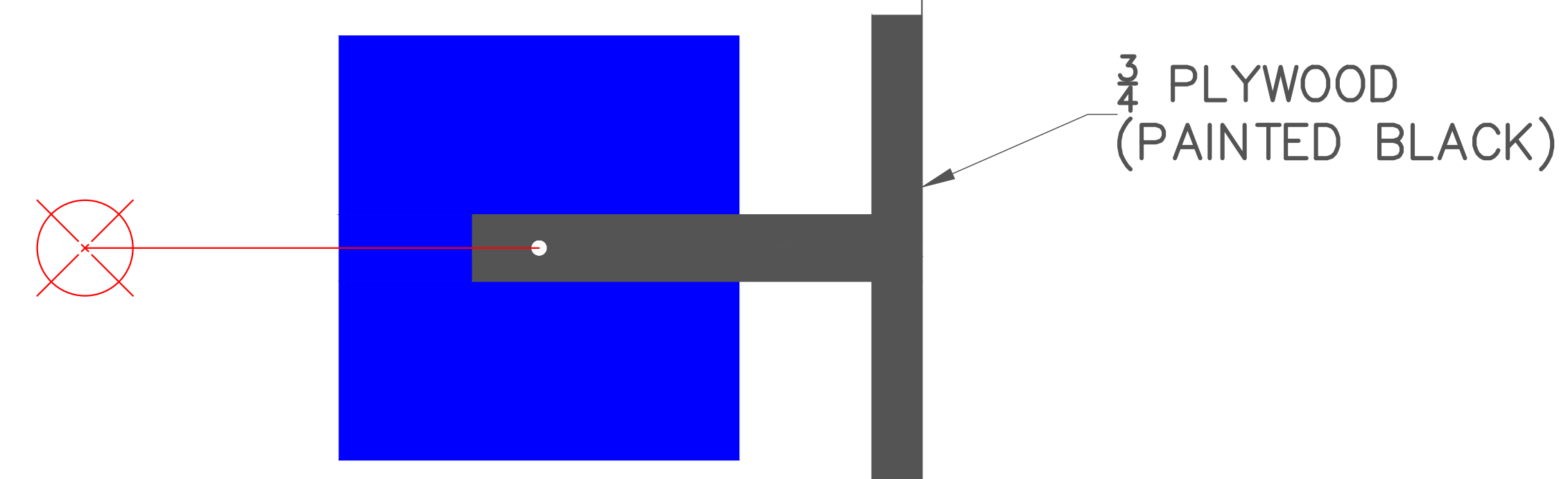
**NOTES:**

- 3/4 PLYWOOD SCREWED INTO STUD BEHIND PEG-BOARD WALL (w/ 2" SCREWS PLUS WASHERS).
- YOKE SCREWED INTO 3/4 PLY (VIA CENTERLINE-CENTERLINE, w/ 1/2" SCREWS).
- UB12 SPEAKER SHOULD BE ABLE TO TILT LATERALLY WHEN ATTACHED.

FRONT VIEW



SIDE VIEW



ARIZONA

MARRONEY THEATRE

ARIZONA REPERTORY THEATRE PRESENTS

RICHARD III

UB12 WALL MOUNT (ORTHO)

DIRECTOR:  
BRENT GIBBS

SOUND DESIGNER:  
TYLER A. BERG

ASST. SOUND DESIGNER:  
HUNTER SWEETSER

PSE:  
MAXWELL BAINES

DATE:  
20181023

REVISION DATE:  
20190214

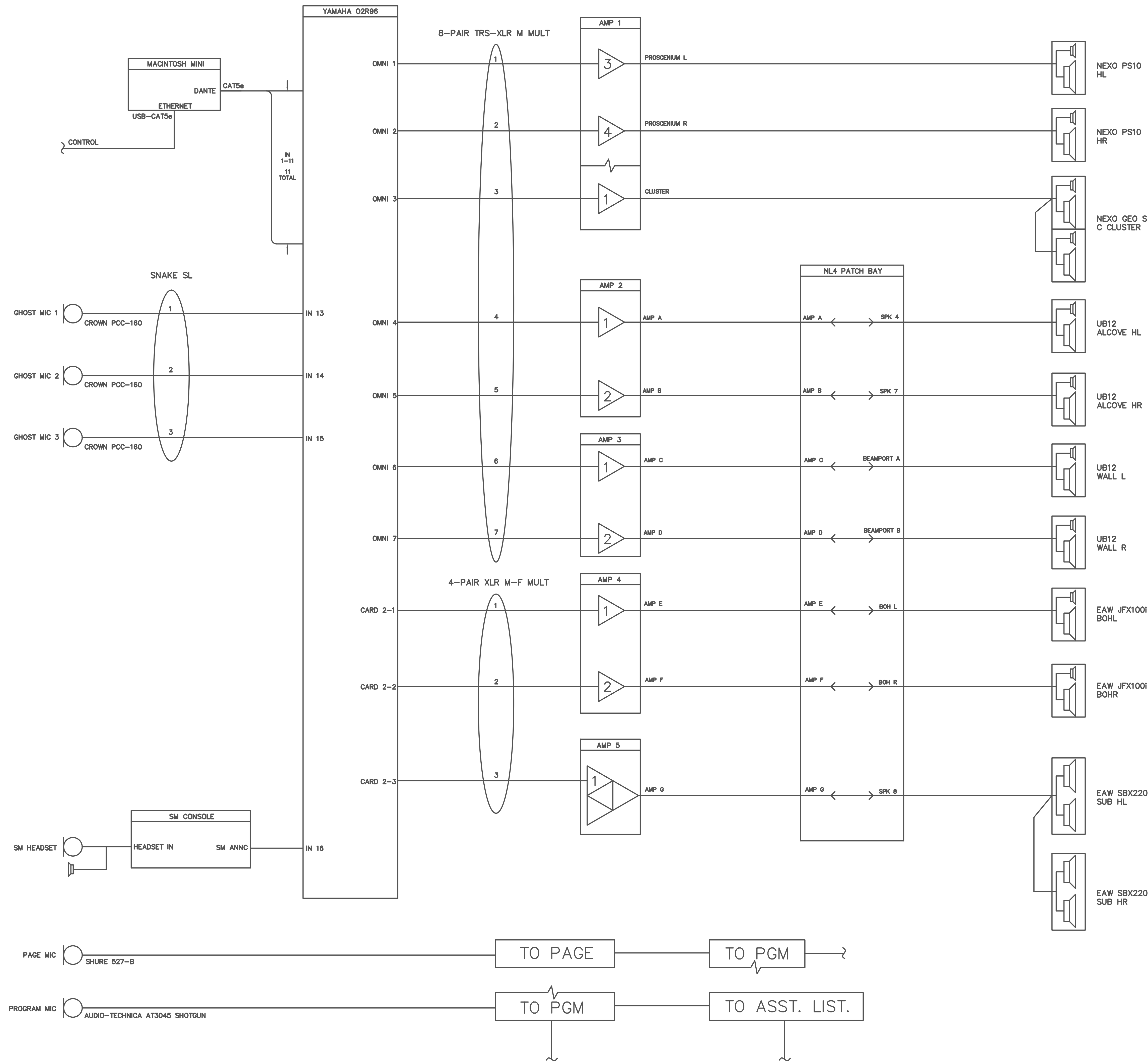
SCALE:  
6" = 1'-0"

DRAFTED BY:  
T.A.B.

PLATE #

4

OF:5



ARIZONA

MARRONEY THEATRE

ARIZONA REPERTORY THEATRE PRESENTS

# RICHARD III

## SOUND SYSTEM DIAGRAM

**DIRECTOR:**  
BRENT GIBBS

**SOUND DESIGNER:**  
TYLER A. BERG

**ASST. SOUND DESIGNER:**  
HUNTER SWEETSER

**PSE:**  
MAXWELL BAINES

**DATE:**  
20181023

**REVISION DATE:**  
20190203

**SCALE:**  
N/A

**DRAFTED BY:**  
T.A.B.

**PLATE #:**

5

OF:5